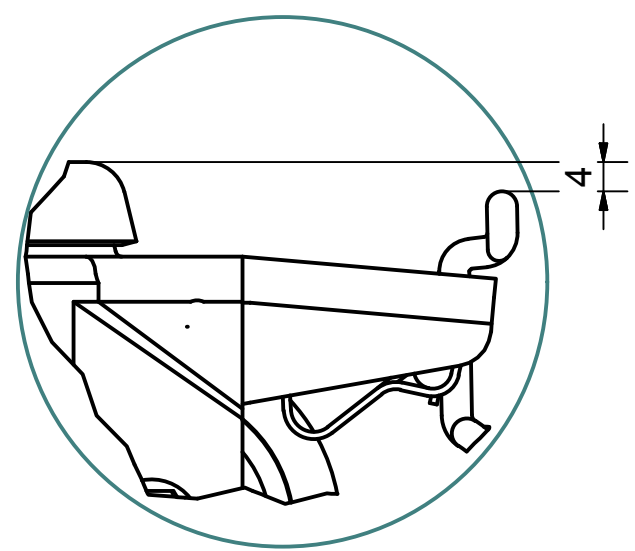
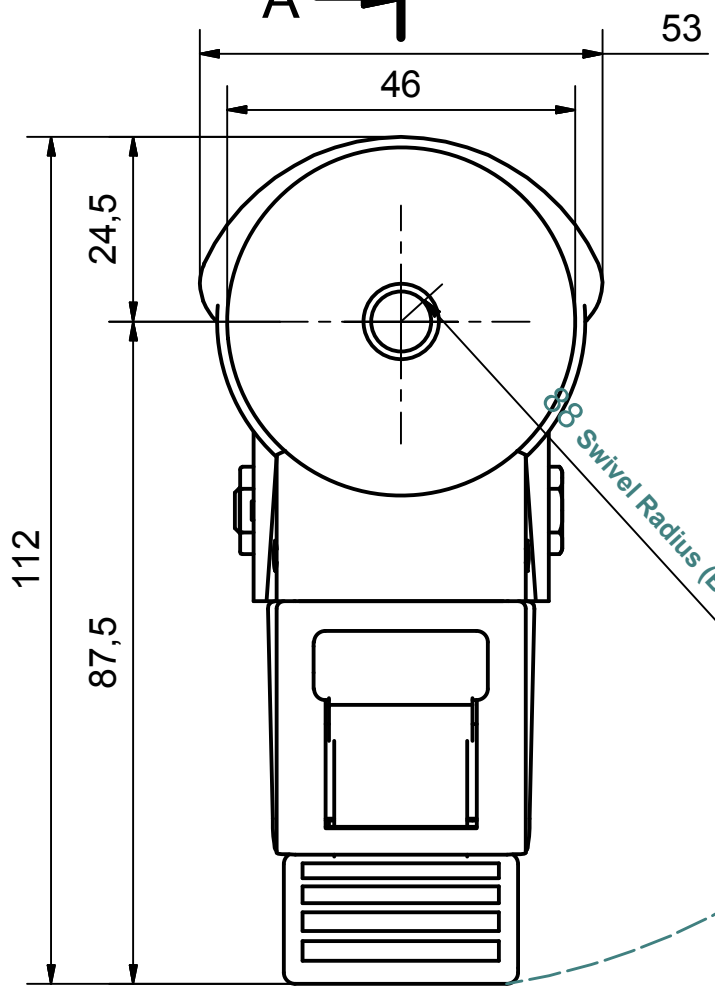



Load Capacity: 50kg, for speed up to 4km/h
(According to EN 12530)



 PRODUCTION OF INSTITUTIONAL CASTORS AND WHEELS THESSALONIKI - GREECE This drawing is the property of RODA S.A. It must neither be reproduced in any manner nor shall it be submitted to third parties or competitors without our written consent	PERMIS. VARIATIONS:		PART No:	
	SURFACE FINISH:		UNF . DIM.:	
DESIGNED 28/6/2013 E.POLIMEROPOULOU DRAWN 28/6/2013 E.POLIMEROPOULOU CHECKED 28/6/2013 H.SAATZOGLU		PART NAME : M.050.TPA.BSBK		
C3 B2 A1 A/A		QUANTITY REPLACE :	SCALE	PART DESCRIPTION : Swivel+brake castor, steel support, bolt stem M10X20mm.Wheel 50x24mm,non marking grey rubber (82shA) plain bearing
DRAWING NUMBER :			SHEET No.	
GEN. DWG. NUM. :				