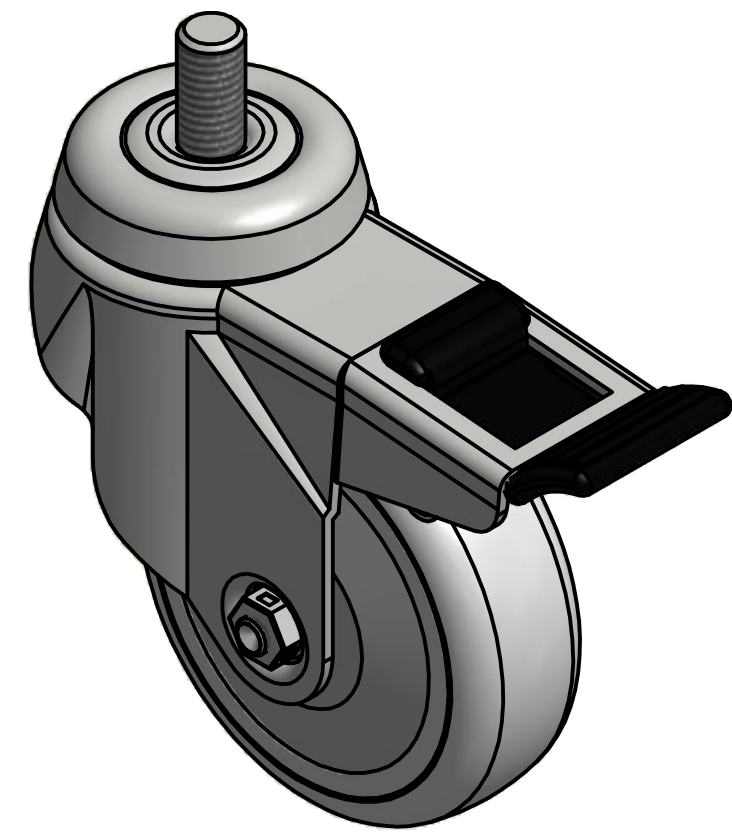
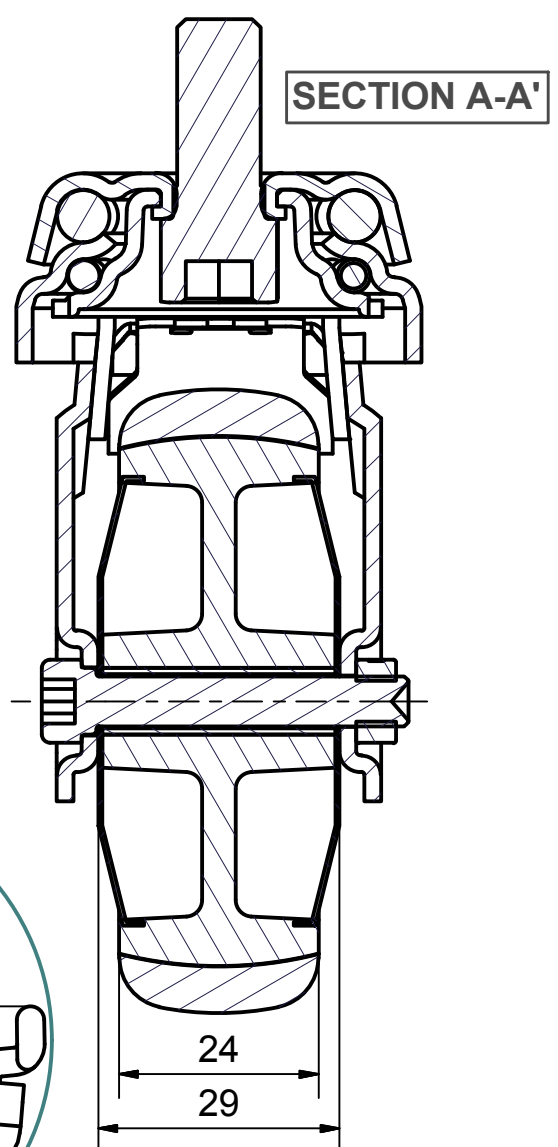
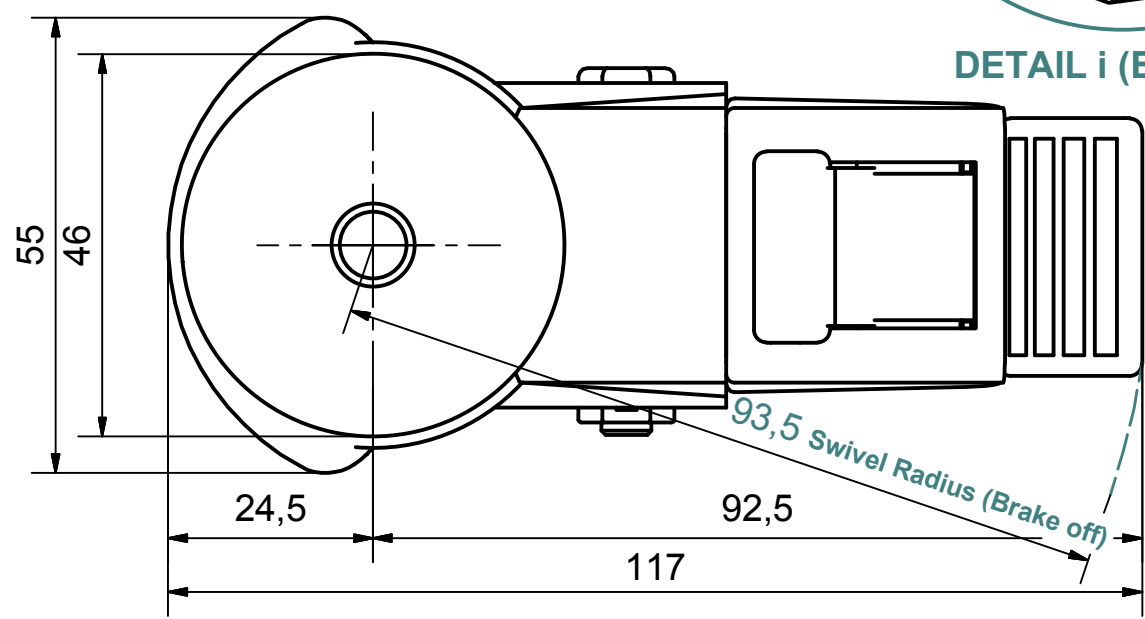



DETAIL i (Brake on)



Load Capacity: 60kg, for speed up to 4km/h  
(According to EN 12530)



	PRODUCTION OF INSTITUTIONAL CASTORS AND WHEELS THESSALONIKI - GREECE		PERMIS. VARIATIONS:	PART No:
	This drawing is the property of RODA S.A. It must neither be reproduced in any manner nor shall it be submitted to third parties or competitors without our written consent		SURFACE FINISH :	UNF . DIM.:
DESIGNED 4/7/2013 E.POLIMEROPOULOU DRAWN 4/7/2013 E.POLIMEROPOULOU CHECKED 4/7/2013 H.SAATZOGLOU	QUANTITY REPLACE :	SCALE	PART NAME : <b>M.075.NNA.BSBKG</b>	
C3 B2 A1 A/A	GEN. DWG. NUM. :	DRAWING NUMBER :	PART DESCRIPTION : <b>Swivel+brake castor, steel support, bolt stem M10X20mm.Wheel 75x24mm,white polyamide plain bearing,steel threadguards</b>	
			SHEET No.	