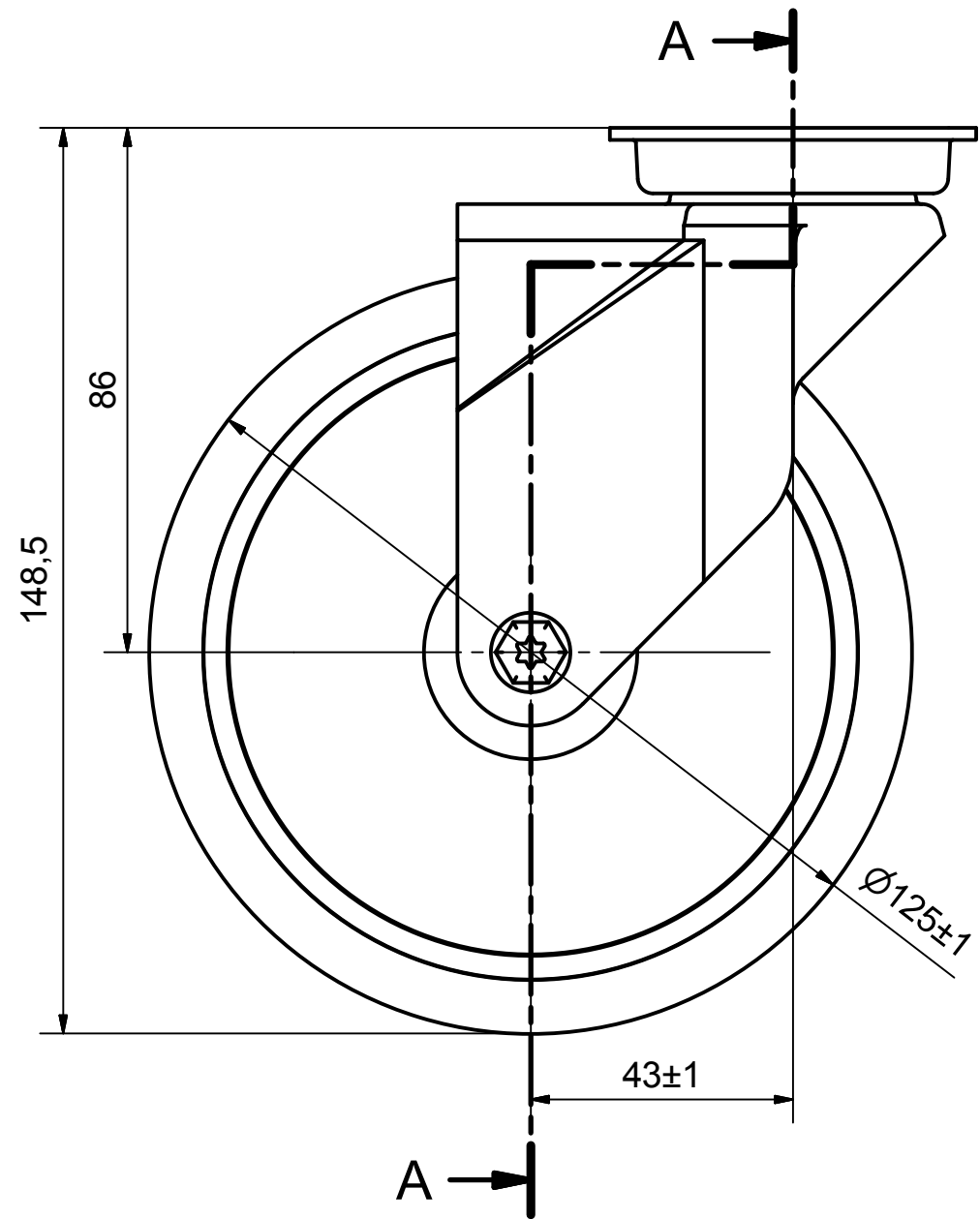
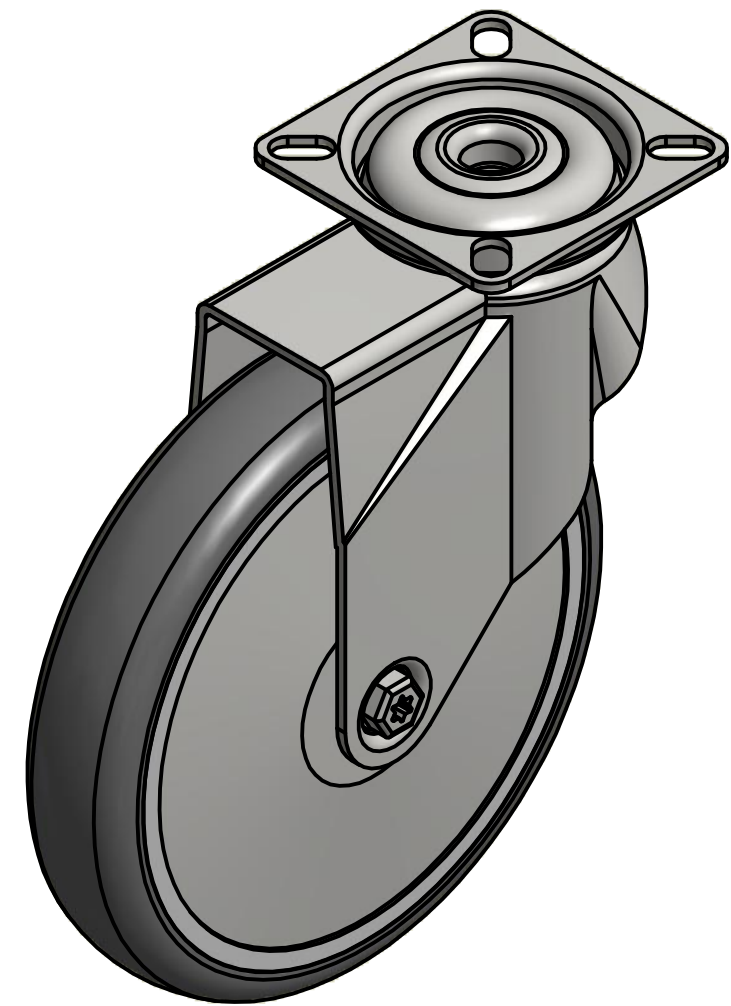
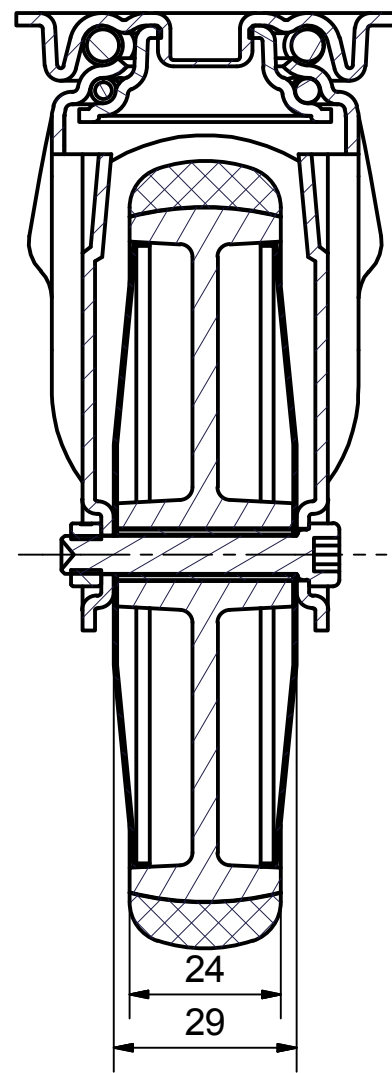


6 5 4 3 2 1

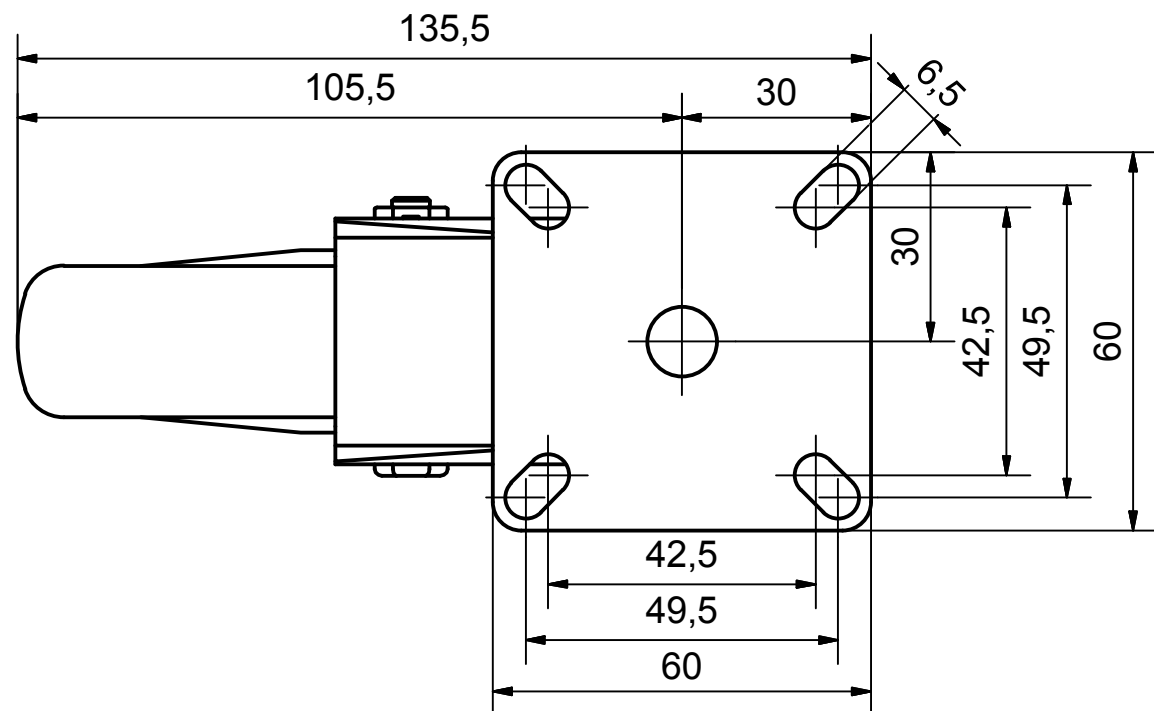
D  
C  
B  
A




SECTION A-A'



Load Capacity: 80kg, for speed up to 4km/h  
(According to EN 12530)



 PRODUCTION OF INSTITUTIONAL CASTORS AND WHEELS THESSALONIKI - GREECE This drawing is the property of RODA S.A. It must neither be reproduced in any manner nor shall it be submitted to third parties or competitors without our written consent	PERMIS. VARIATIONS:		PART No:	
	SURFACE FINISH:		UNF . DIM.:	
DESIGNED 11/7/2013 E.POLIMEROPOULOU			PART NAME : <b>M.125.TPA.TSG</b>	
DRAWN 11/7/2013 E.POLIMEROPOULOU			PART DESCRIPTION : <b>Swivel castor, steel support, top plate fitting.Wheel 125x24mm,non marking grey rubber (82shA) plain bearing,steel threadguards</b>	
CHECKED 11/7/2013 H.SAATSOGLOU			DRAWING NUMBER :	
C3			QUANTITY	SCALE
B2			REPLACE :	SHEET No.
A1				GEN. DWG. NUM. :
A/A				

6 5 4 3 2 1

D  
C  
B  
A