

6 5 4 3 2 1

D

D

C

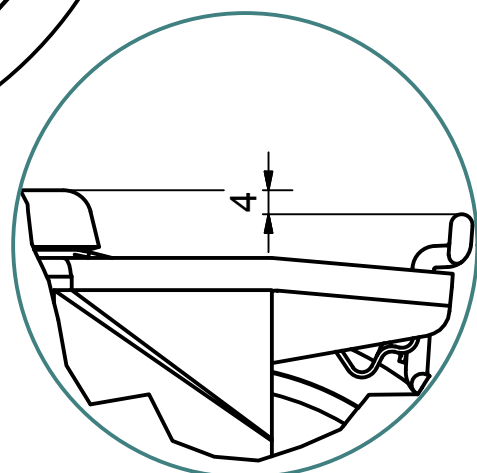
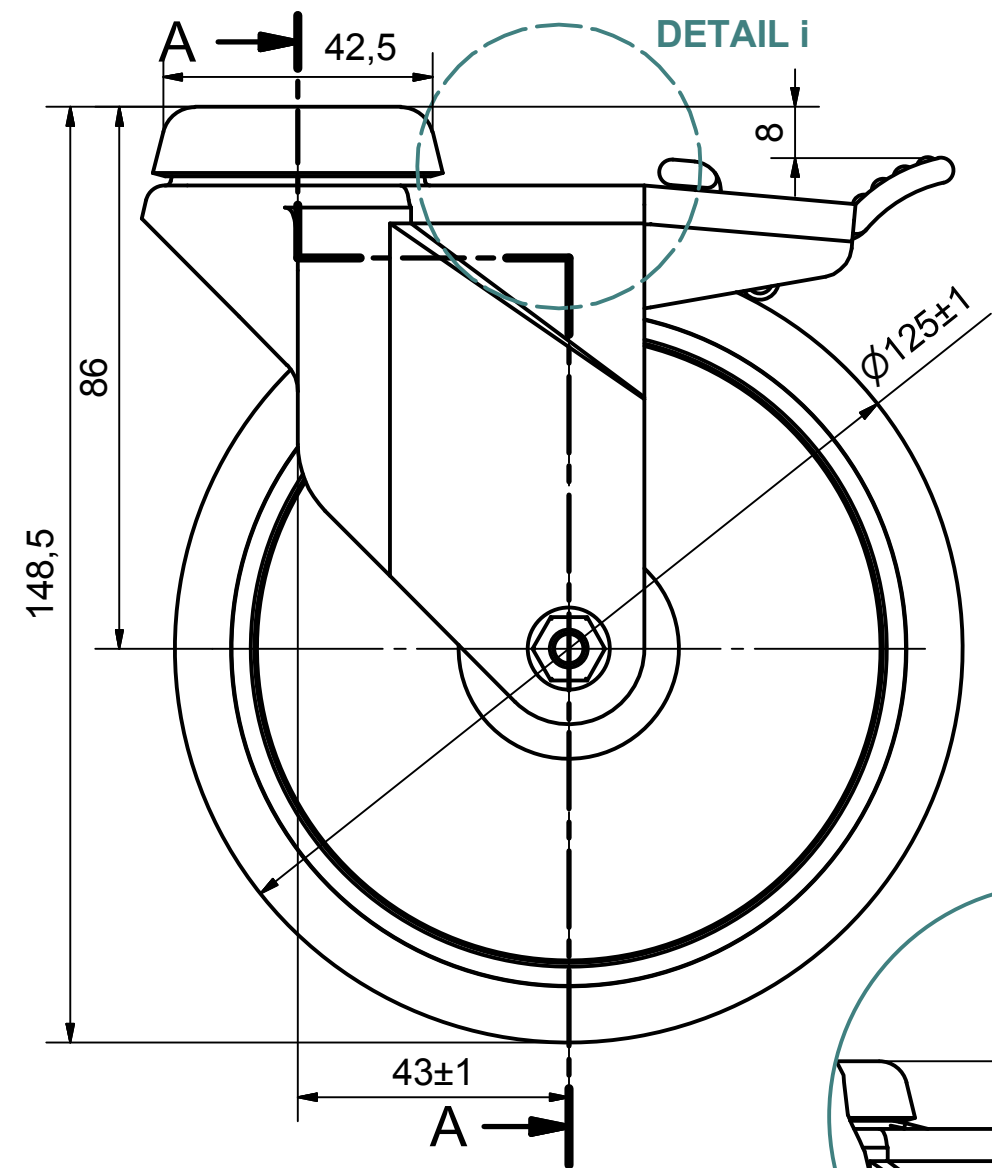
C

B

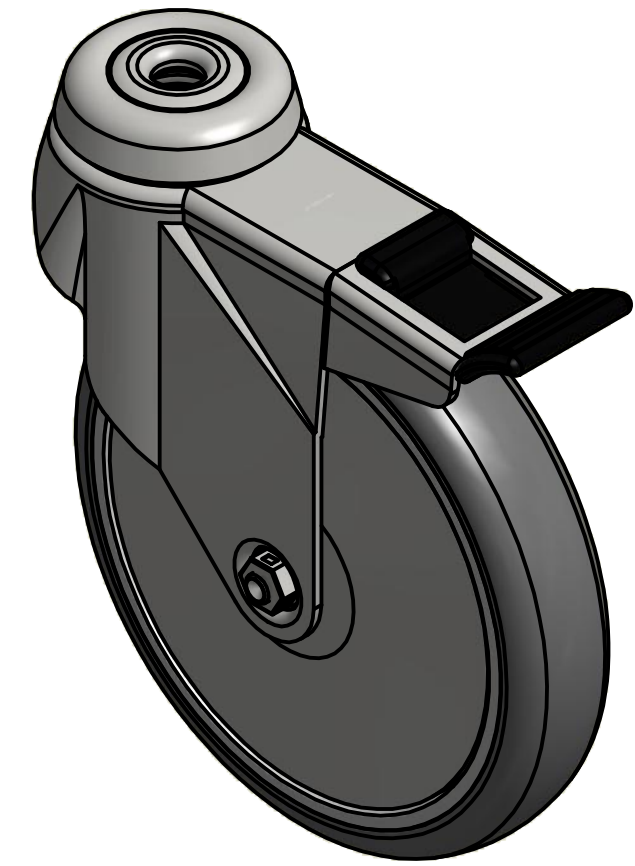
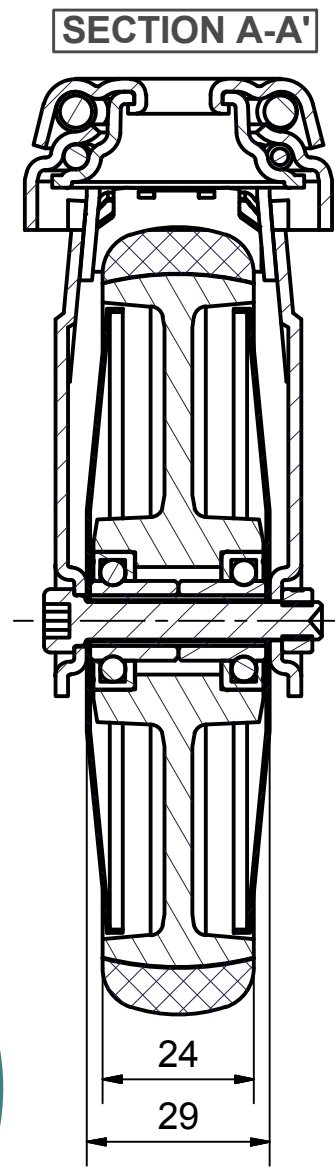
B

A

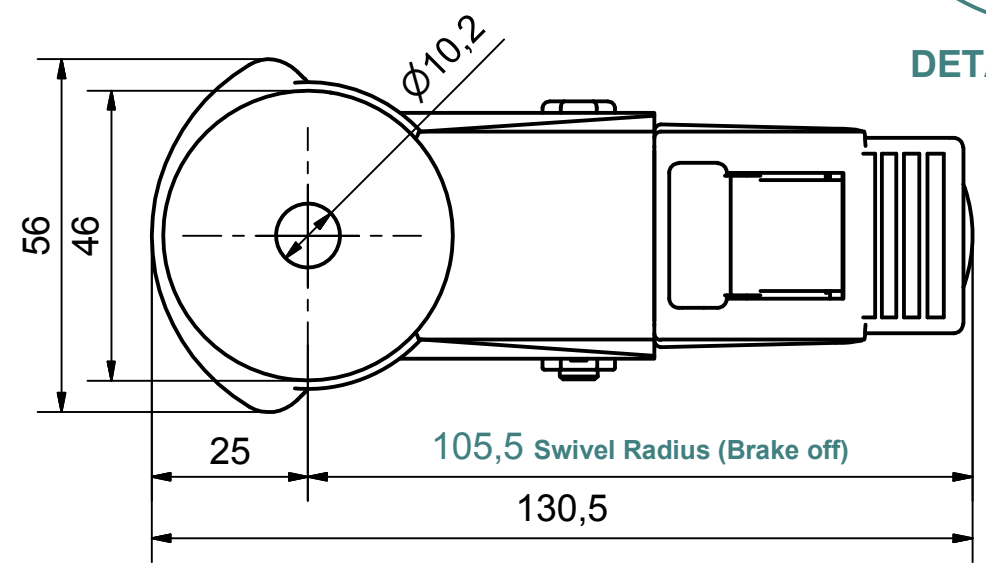
A




DETAIL i (Brake on)



Load Capacity: 80kg, for speed up to 4km/h
(According to EN 12530)



6 5 4 3 2 1

 PRODUCTION OF INSTITUTIONAL CASTORS AND WHEELS THESSALONIKI - GREECE	PERMIS. VARIATIONS:		PART No:
	SURFACE FINISH :		UNF . DIM.:
This drawing is the property of RODA S.A. It must neither be reproduced in any manner nor shall it be submitted to third parties or competitors without our written consent	DESIGNED	15/7/2013	E.POLIMEROPOULOU
	DRAWN	15/7/2013	E.POLIMEROPOULOU
	CHECKED	15/7/2013	H.SAATSOGLOU
PART NAME :			M.125.TPC.HSBKG
PART DESCRIPTION :			Swivel+brake castor, steel support, bolt hole fitting (10,2mm).Wheel 125x24mm,non marking grey rubber (82shA) double ball beari
DRAWING NUMBER :		QUANTITY	SCALE
SHEET No.		REPLACE :	GEN. DWG. NUM. :