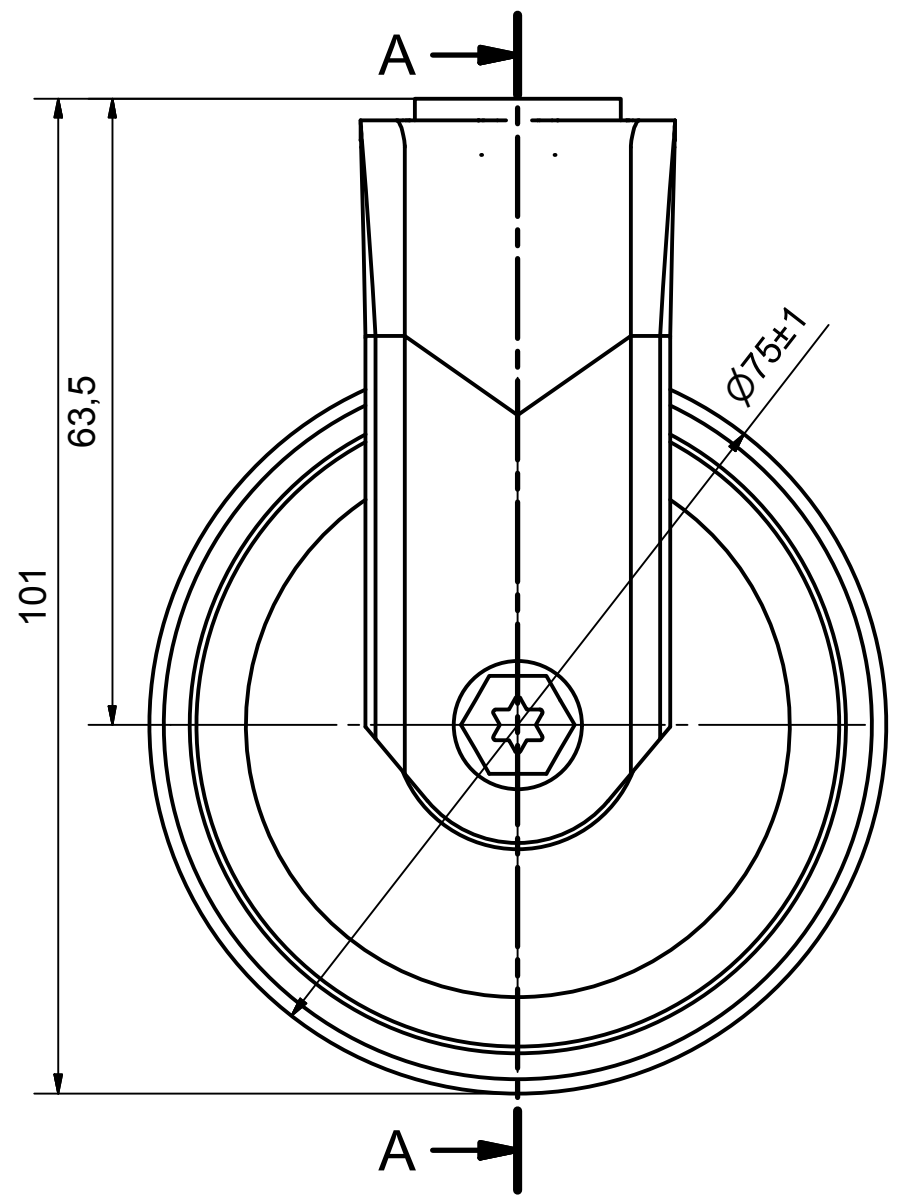
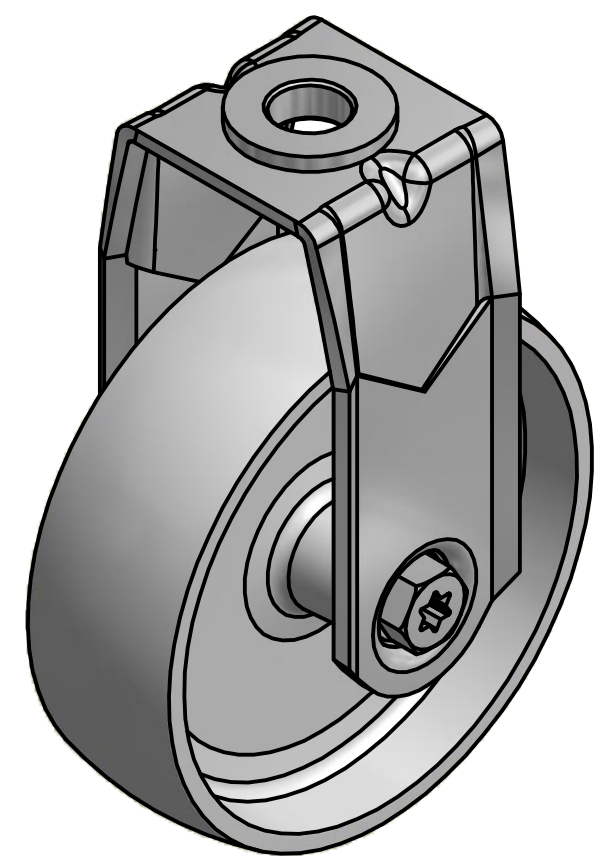
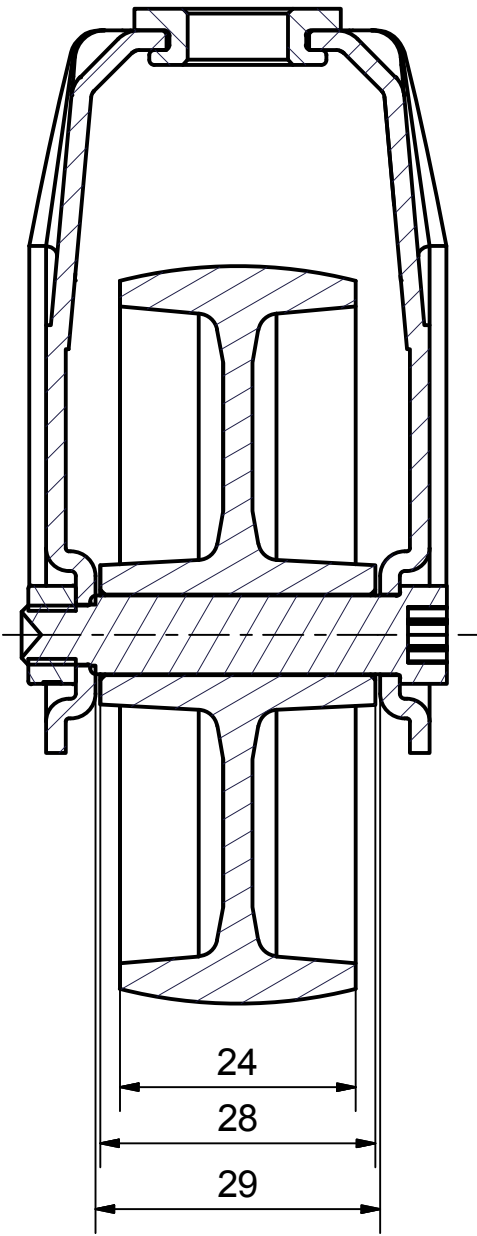


6 5 4 3 2 1

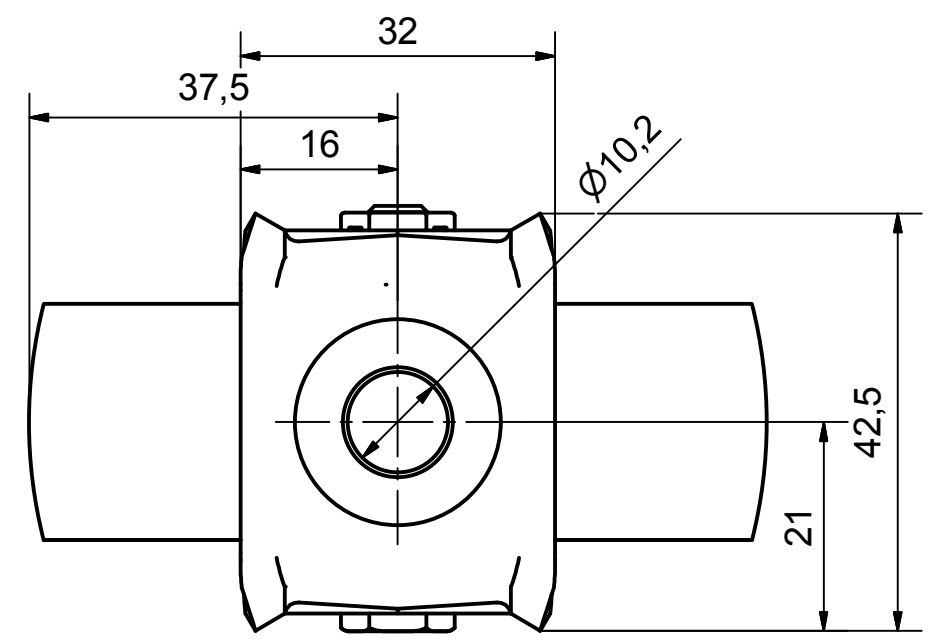
D  
C  
B  
A




SECTION A-A'



Load Capacity: 60kg, for speed up to 4km/h  
(According to EN 12530)



|   |                     |                  |  |
|---|---------------------|------------------|--|
| <br>PRODUCTION OF INSTITUTIONAL CASTORS AND WHEELS<br>THESSALONIKI - GREECE            | PERMIS. VARIATIONS: |                  | PART No:   |
|   | SURFACE FINISH :    |                  | UNF . DIM.:  |
| This drawing is the property of RODA S.A. It must neither be reproduced in any manner nor shall it be submitted to third parties or competitors without our written consent | DESIGNED            | 3/7/2013         | E.POLIMEROPOULOU   |
|   | DRAWN               | 3/7/2013         | E.POLIMEROPOULOU   |
|   | CHECKED             | 3/7/2013         | H.SAATZOGLU  |
| PART NAME : <b>MX.075.NA.HF</b>   |                     |                  | PART DESCRIPTION :<br><b>Fixed castor, stainless support, bolt hole fitting (10,2mm).Wheel 75x24mm,white polyamide plain bearing</b> |
| QUANTITY      SCALE   |                     | DRAWING NUMBER : |  |
| REPLACE :   |                     | SHEET No.        |  |
| GEN. DWG. NUM. :  |                     | SHEET No.        |  |

6 5 4 3 2 1