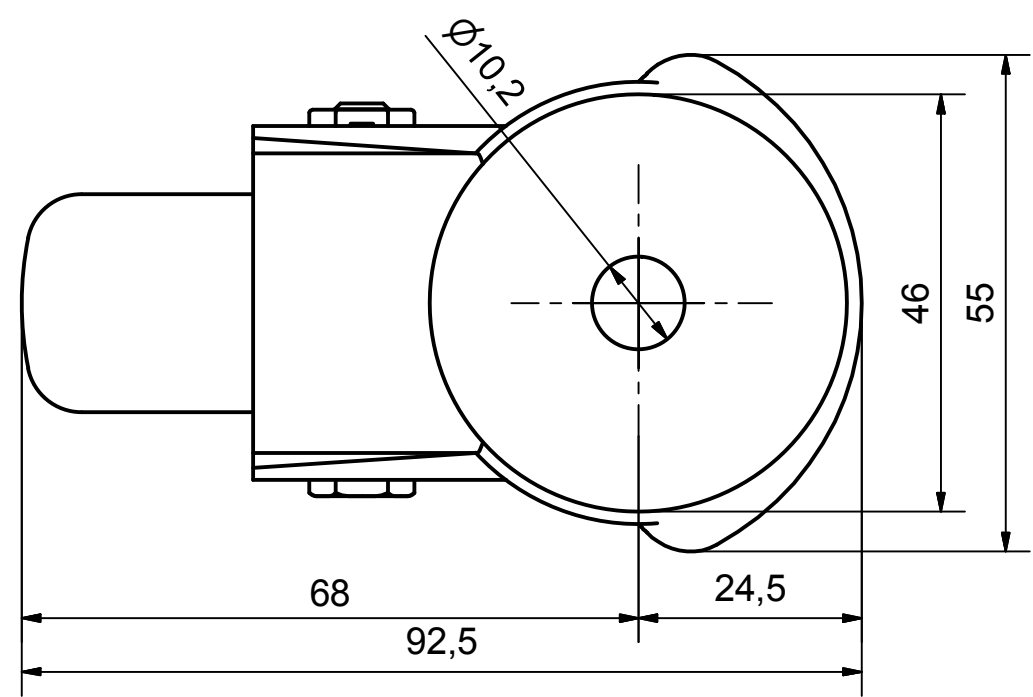



**Load Capacity: 60kg, for speed up to 4km/h
(According to EN 12530)**



 PRODUCTION OF INSTITUTIONAL CASTORS AND WHEELS THESSALONIKI - GREECE	PERMIS. VARIATIONS:		PART No:
	SURFACE FINISH :		UNF . DIM.:
This drawing is the property of RODA S.A. It must neither be reproduced in any manner nor shall it be submitted to third parties or competitors without our written consent	DESIGNED	4/7/2013	E.POLIMEROPOULOU
	DRAWN	4/7/2013	E.POLIMEROPOULOU
	CHECKED	4/7/2013	H.SAATZOGLU
PART NAME :			MX.075.NNA.HS
PART DESCRIPTION :			Swivel castor, stainless support, bolt hole fitting (10,2mm).Wheel 75x24mm,white polyamide plain bearing
DRAWING NUMBER :		QUANTITY	SHEET No.
GEN. DWG. NUM. :		REPLACE :	SCALE