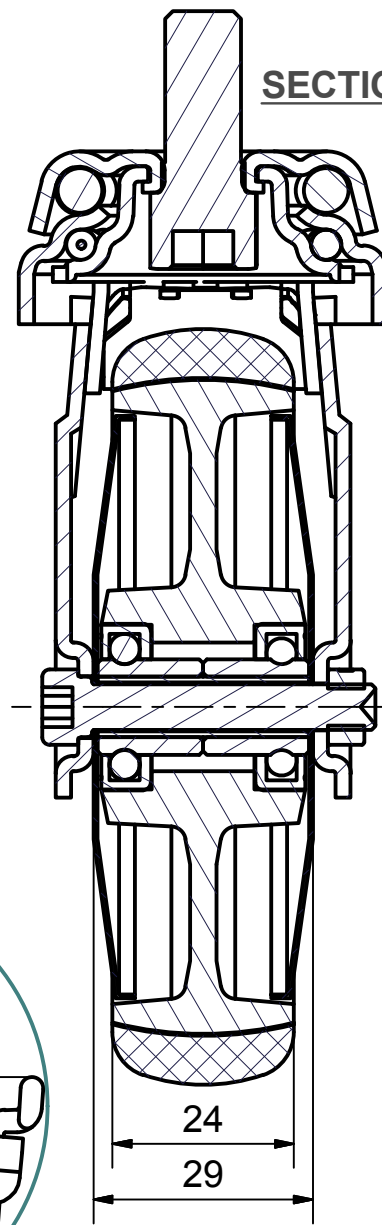
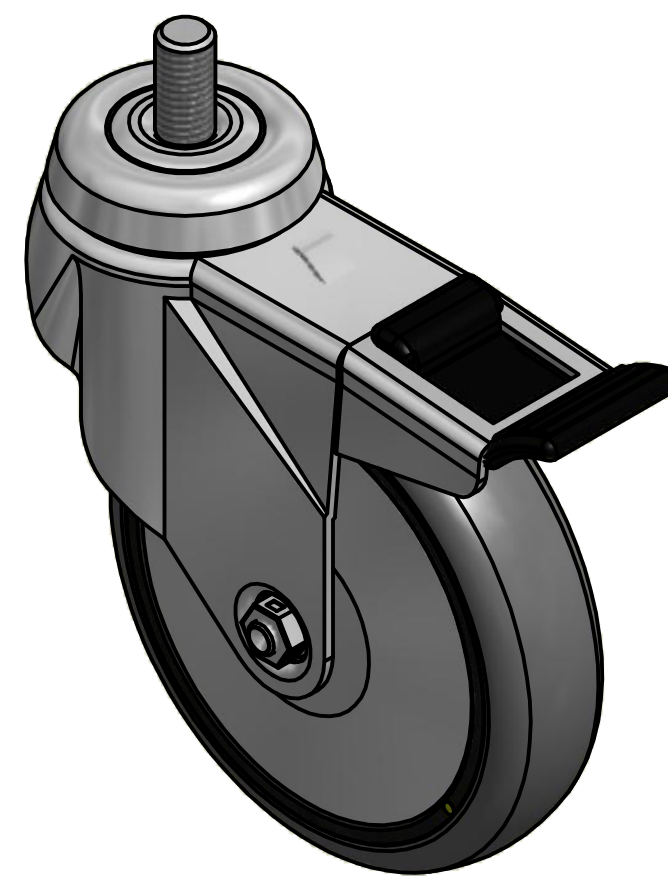


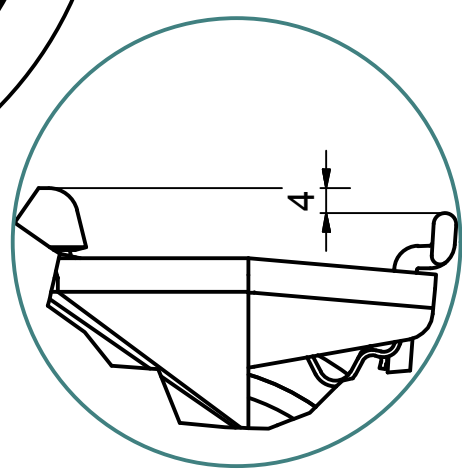
DETAIL i



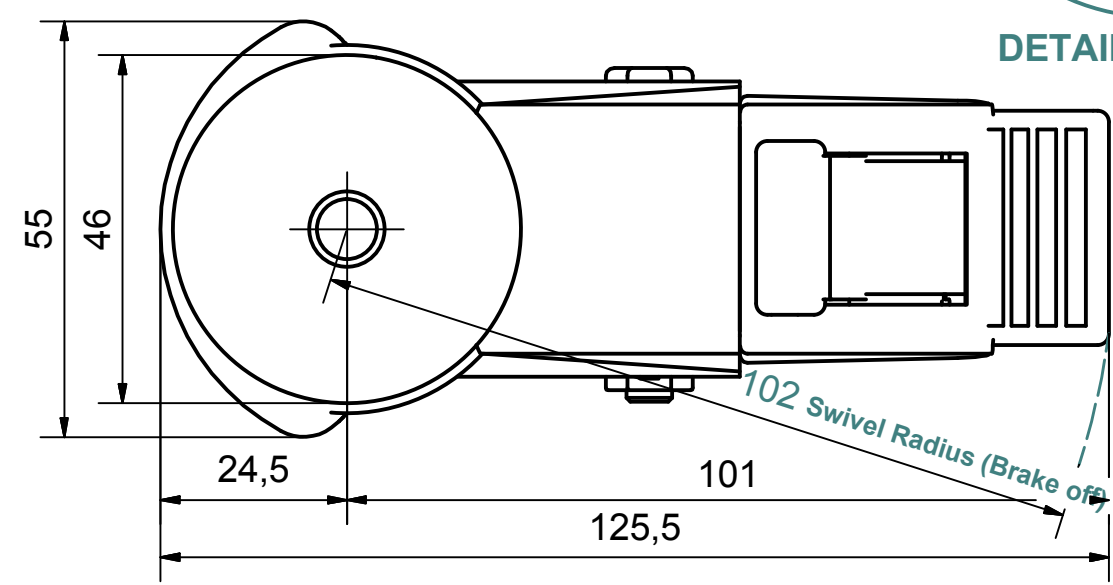
SECTION A-A'




Load Capacity: 70kg, for speed up to 4km/h
(According to EN 12530)



DETAIL i (Brake on)



 PRODUCTION OF INSTITUTIONAL CASTORS AND WHEELS THESSALONIKI - GREECE	PERMIS. VARIATIONS:		PART No.:
	SURFACE FINISH:		UNF . DIM.:
This drawing is the property of RODA S.A. It must neither be reproduced in any manner nor shall it be submitted to third parties or competitors without our written consent	DESIGNED 10/7/2013 E.POLIMEROPOULOU	PART NAME : MX.100.CPC.BSBKGX	
	DRAWN 10/7/2013 E.POLIMEROPOULOU	PART DESCRIPTION : Swivel+brake castor, stainless support, bolt stem M10X20mm.Wheel 100x24mm,electric conductive non marking grey rubber (82shA) d	
	CHECKED 10/7/2013 H.SAATSOGLOU	QUANTITY	SCALE
C3 B2 A1 A/A	REPLACE :	GEN. DWG. NUM. :	DRAWING NUMBER :