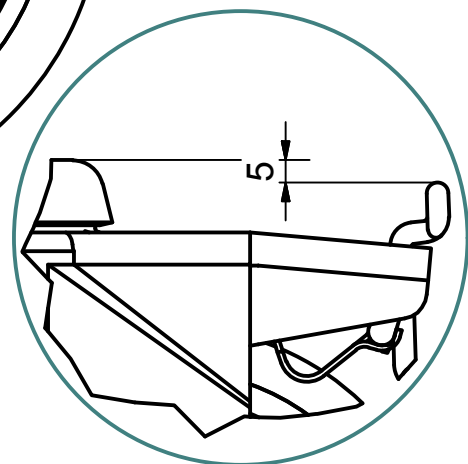
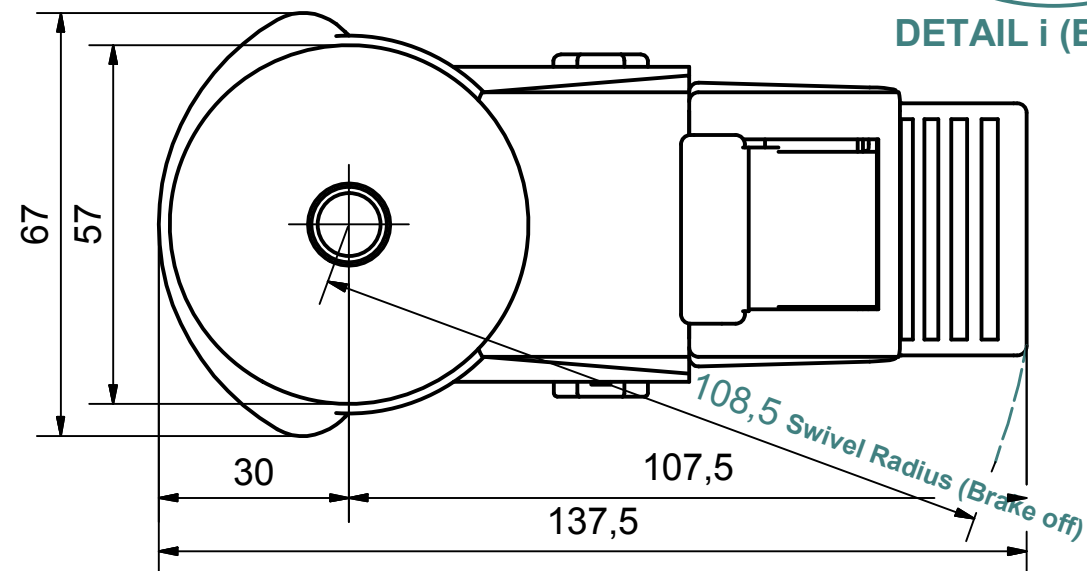



Load Capacity: 90kg, for speed up to 4km/h  
(According to EN 12530)



DETAIL i (Brake on)



|   |                     |           |  |
|---|---------------------|-----------|--|
| <br>PRODUCTION OF INSTITUTIONAL CASTORS AND WHEELS<br>THESSALONIKI - GREECE            | PERMIS. VARIATIONS: |           | PART No:   |
|   | SURFACE FINISH :    |           | UNF . DIM.:  |
| This drawing is the property of RODA S.A. It must neither be reproduced in any manner nor shall it be submitted to third parties or competitors without our written consent | DESIGNED            | 24/7/2013 | E.POLIMEROPOULOU   |
|   | DRAWN               | 24/7/2013 | E.POLIMEROPOULOU   |
|   | CHECKED             | 24/7/2013 | H.SAATSOGLOU   |
| PART NAME : <b>S.100.TPS.BSBKGP</b>   |                     |           | PART DESCRIPTION :<br><b>Swivel+brake castor, steel support, bolt stem M12X25mm.Wheel 100x32mm,non marking grey rubber (82shA) single precision bearing.</b> |
| DRAWING NUMBER :  |                     |           | SHEET No.  |
| QUANTITY SCALE  |                     |           | GEN. DWG. NUM. :   |
| REPLACE :   |                     |           |  |