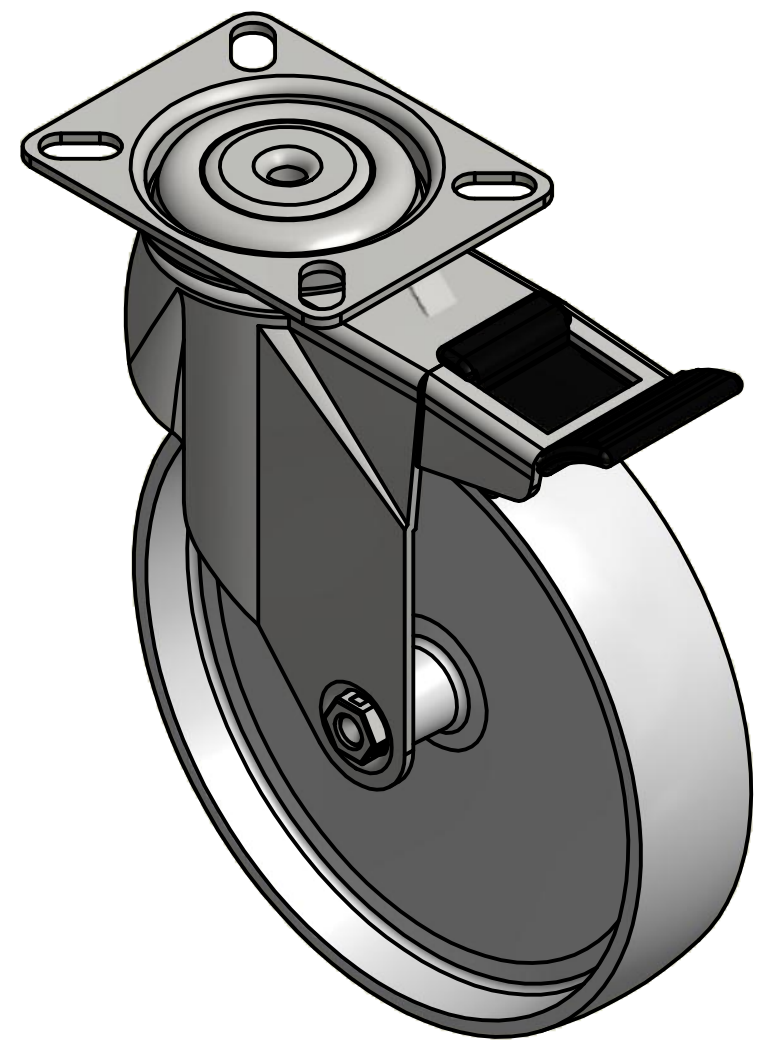
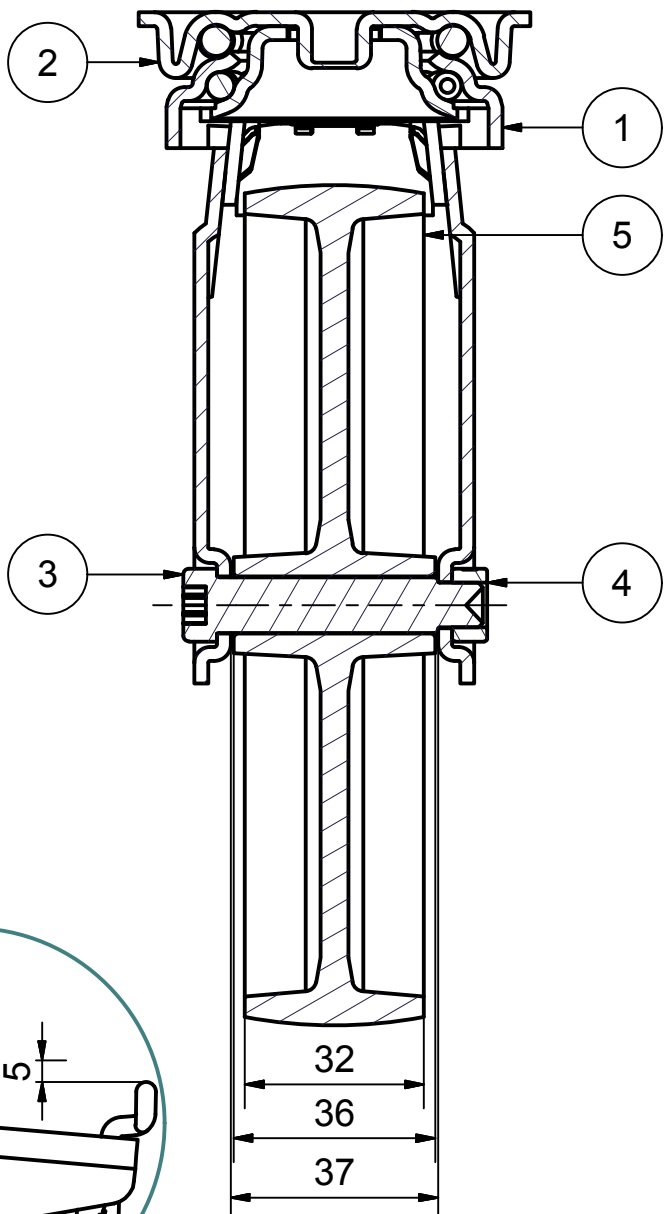



SECTION A-A'



Load Capacity: 100kg, for speed up to 4km/h  
(According to EN 12530)

	PRODUCTION OF INSTITUTIONAL CASTORS AND WHEELS THESSALONIKI - GREECE		PERMIS. VARIATIONS:	PART No:
	This drawing is the property of RODA S.A. It must neither be reproduced in any manner nor shall it be submitted to third parties or competitors without our written consent		SURFACE FINISH:	UNF . DIM.:
DESIGNED 31/7/2013 E.POLIMEROPOULOU	DRAWN 31/7/2013 E.POLIMEROPOULOU	CHECKED 31/7/2013 H.SAATSOGLOU	PART NAME :	S.150.NA.TSBK
C3 B2 A1 A/A	QUANTITY REPLACE :	SCALE	PART DESCRIPTION :	Swivel+brake castor, steel support, top plate fitting.Wheel 150x32mm,white polyamide plain bearing
			DRAWING NUMBER :	SHEET No.
			GEN. DWG. NUM. :	