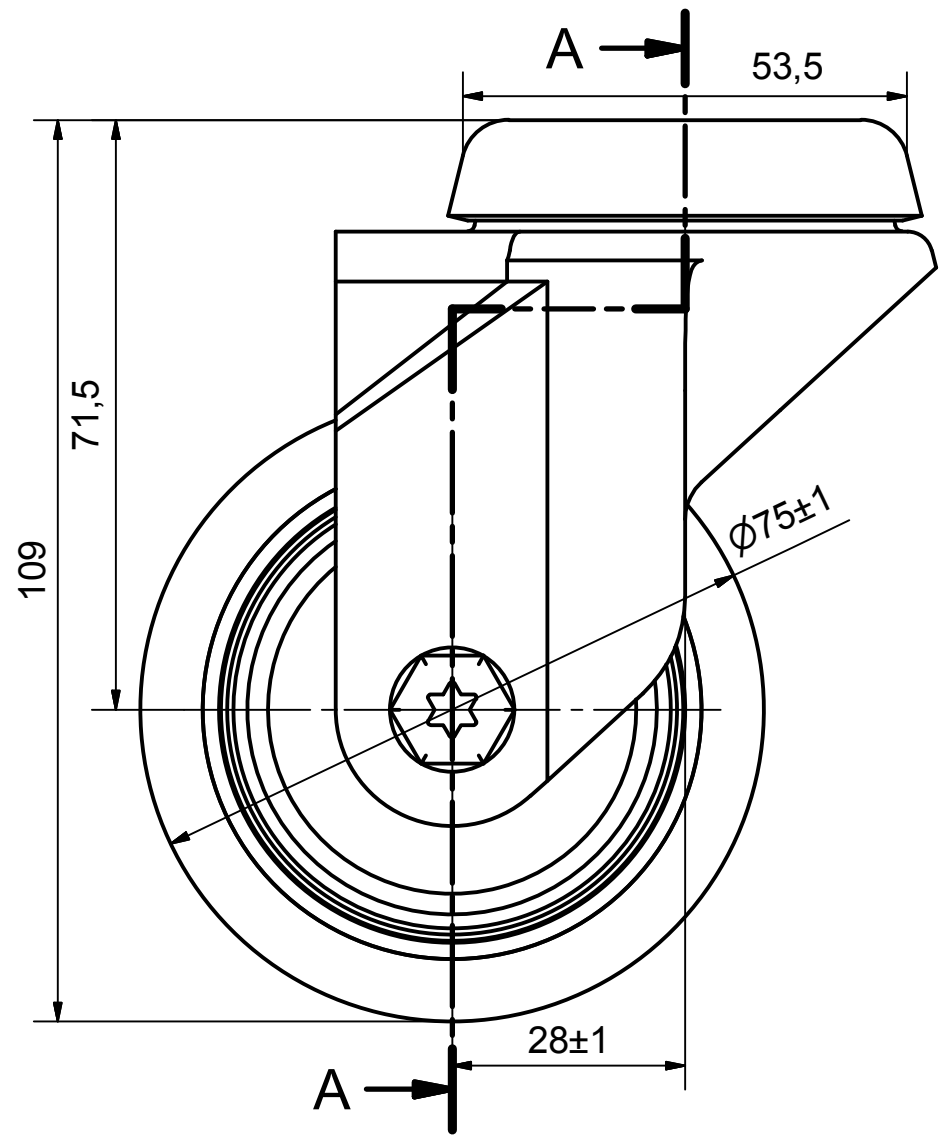
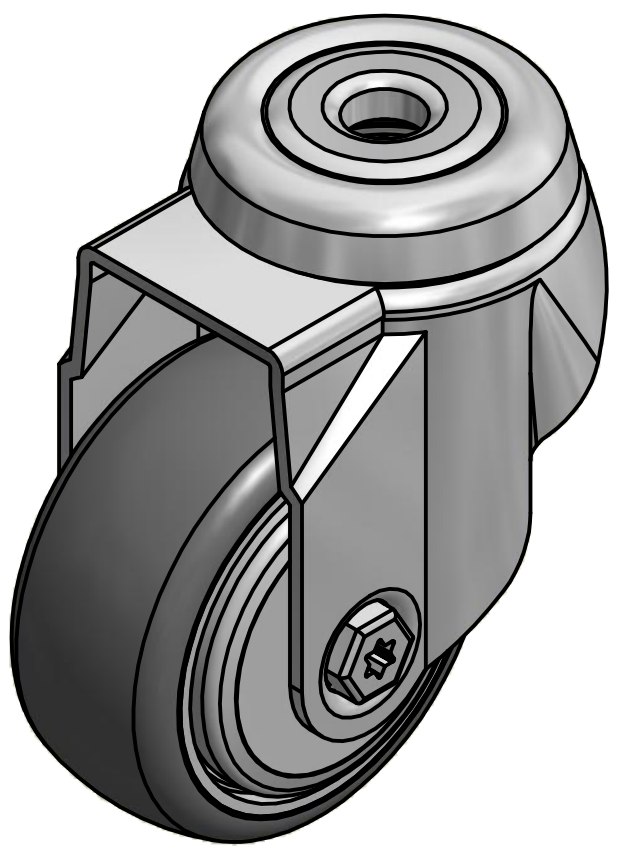
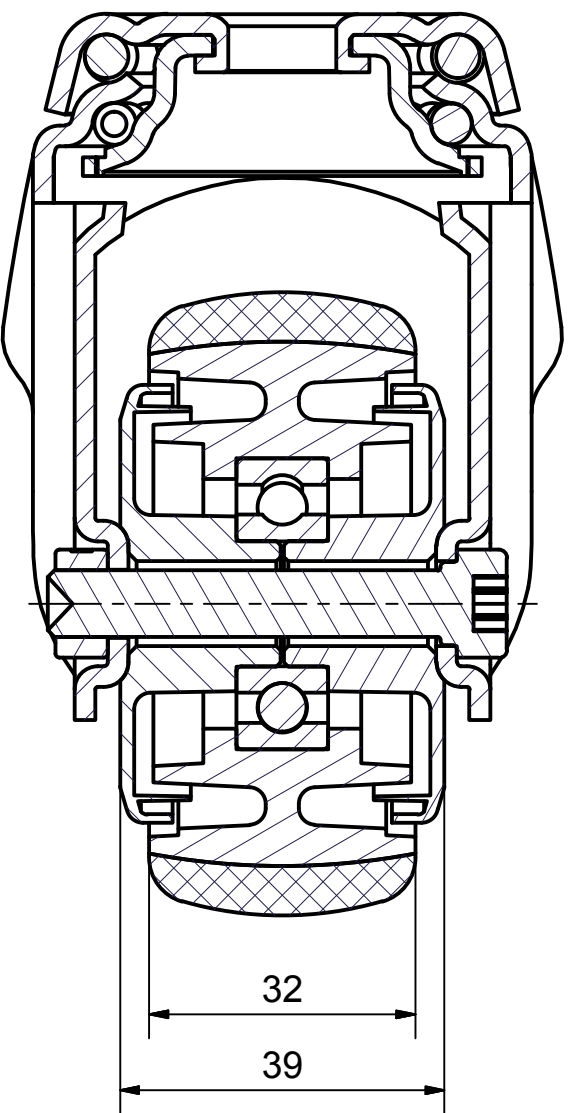


6 5 4 3 2 1

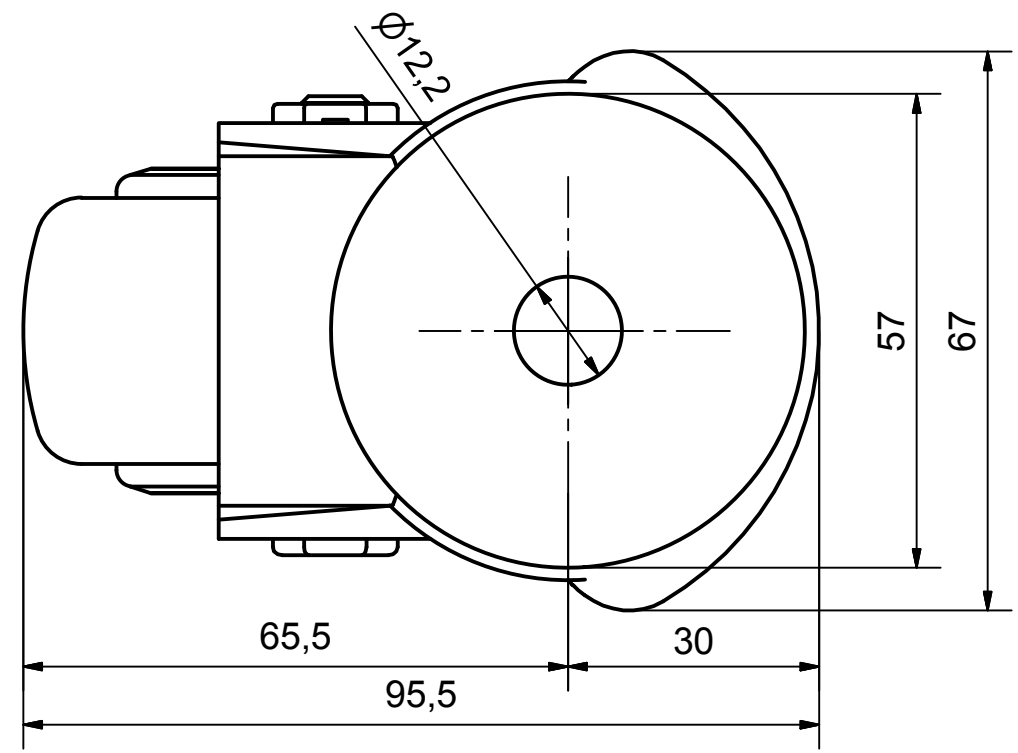
D
C
B
A




SECTION A-A'



Load Capacity: 70kg, for speed up to 4km/h
(According to EN 12530)



 PRODUCTION OF INSTITUTIONAL CASTORS AND WHEELS THESSALONIKI - GREECE This drawing is the property of RODA S.A. It must neither be reproduced in any manner nor shall it be submitted to third parties or competitors without our written consent	PERMIS. VARIATIONS:		PART No:	
	SURFACE FINISH:		UNF . DIM.:	
DESIGNED 18/7/2013 E.POLIMEROPOULOU DRAWN 18/7/2013 E.POLIMEROPOULOU CHECKED 18/7/2013 H.SAATSOGLOU			PART NAME : SX.075.TPS.HSGP	
C3 B2 A1 A/A			PART DESCRIPTION : Swivel castor, stainless support, bolt hole fitting (12,2mm).Wheel 75x32mm,non marking grey rubber (82shA) single precision bea	
QUANTITY REPLACE :		SCALE		SHEET No.
DRAWING NUMBER :			GEN. DWG. NUM. :	

6 5 4 3 2 1