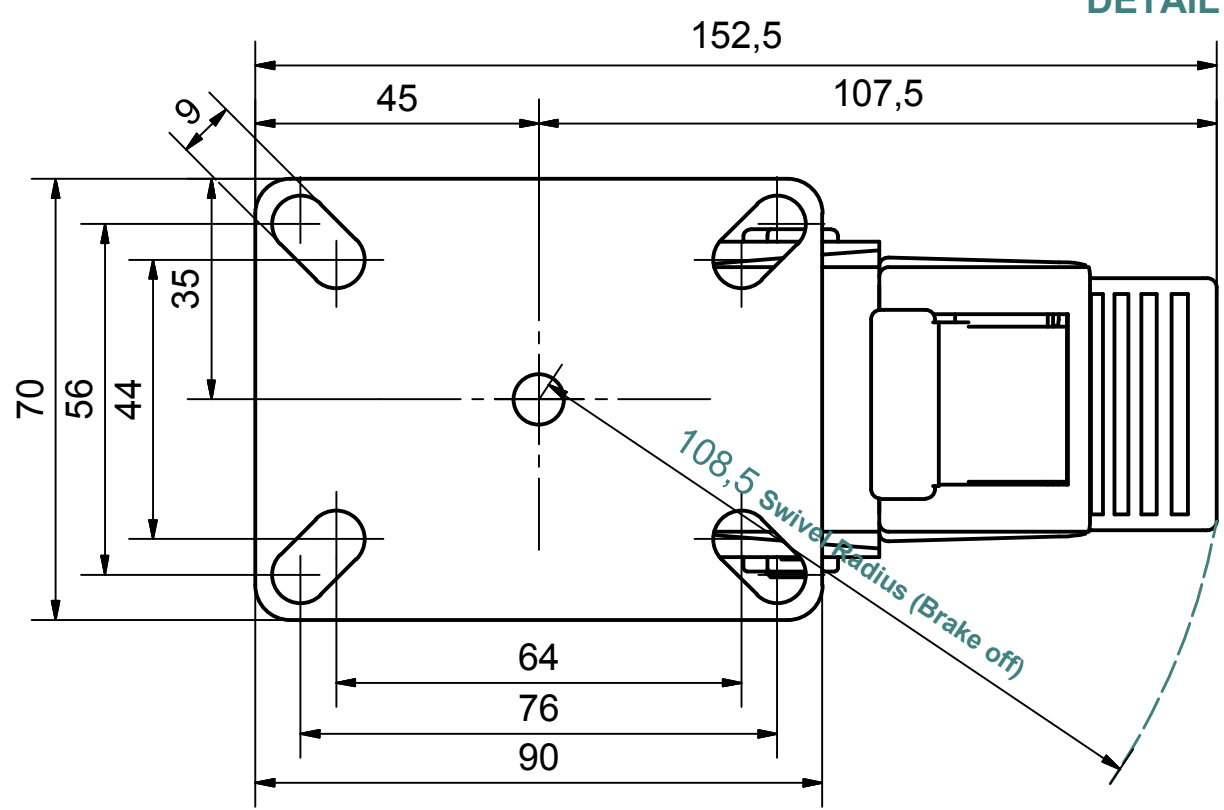



Load Capacity: 90kg, for speed up to 4km/h  
(According to EN 12530)



 PRODUCTION OF INSTITUTIONAL CASTORS AND WHEELS THESSALONIKI - GREECE	PERMIS. VARIATIONS:		PART No.:	
	SURFACE FINISH:		UNF . DIM.:	
This drawing is the property of RODA S.A. It must neither be reproduced in any manner nor shall it be submitted to third parties or competitors without our written consent	DESIGNED 23/7/2013 E.POLIMEROPOULOU	PART NAME : <b>SX.100.TPA.TSBKGX</b>		
	DRAWN 23/7/2013 E.POLIMEROPOULOU	PART DESCRIPTION : <b>Swivel+brake castor, stainless support, top plate fitting.Wheel 100x32mm,non marking grey rubber (82shA) plain bearing,stainles</b>		
	CHECKED 23/7/2013 H.SAATSOGLOU	DRAWING NUMBER :		
C3 B2 A1 A/A	QUANTITY REPLACE :	SCALE	SHEET No.	
GEN. DWG. NUM. :			SHEET No.	