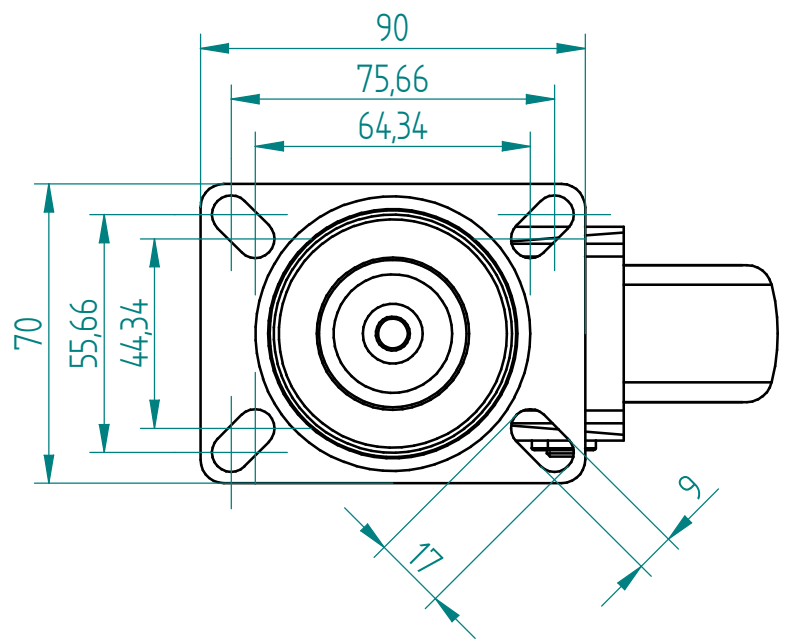
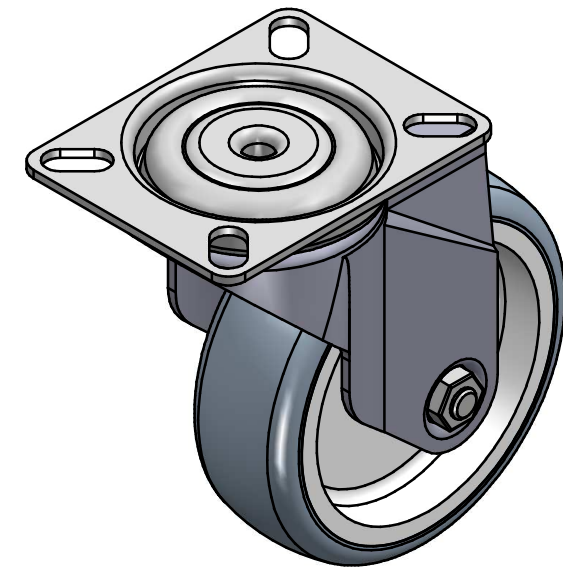
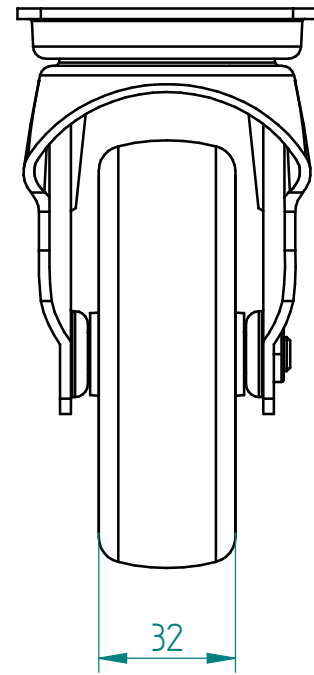
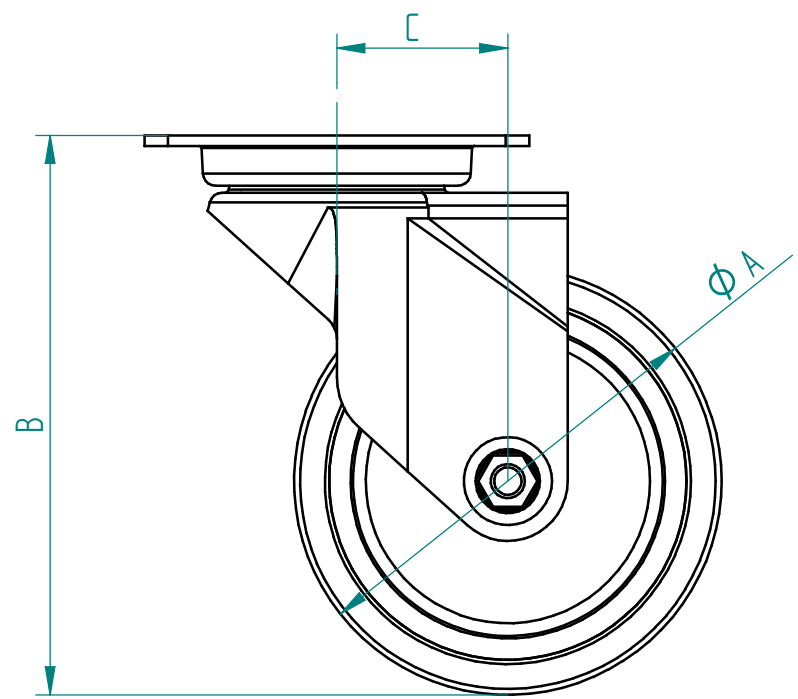



M Series		
A (mm)	B (mm)	C (mm)
75	109	28
100	131,5	40
125	156,5	40
150	181,5	45



	PRODUCTION OF INSTITUTIONAL CASTORS AND WHEELS	PERMIS. VARIATIONS:	PART No.:
		SURFACE FINISH:	UNF. DIM.:
THESSALONIKI - GREECE			MATERIAL:
This drawing is the property of RODA S.A. It must neither be reproduced in any manner nor shall it be submitted to third parties or competitors without our written consent		DESIGNED 22/7/2010 ALISANDRATOS S.	PART DESCRIPTION : S Series TS:Top Plate
		DRAWN 22/7/2010 ALISANDRATOS S.	
		CHECKED 22/7/2010	
C3		QUANTITY REPLACE	DRAWING SCALE GEN. DWG. NUM. :
B2			
A1			
A/A			
			SHEET No.